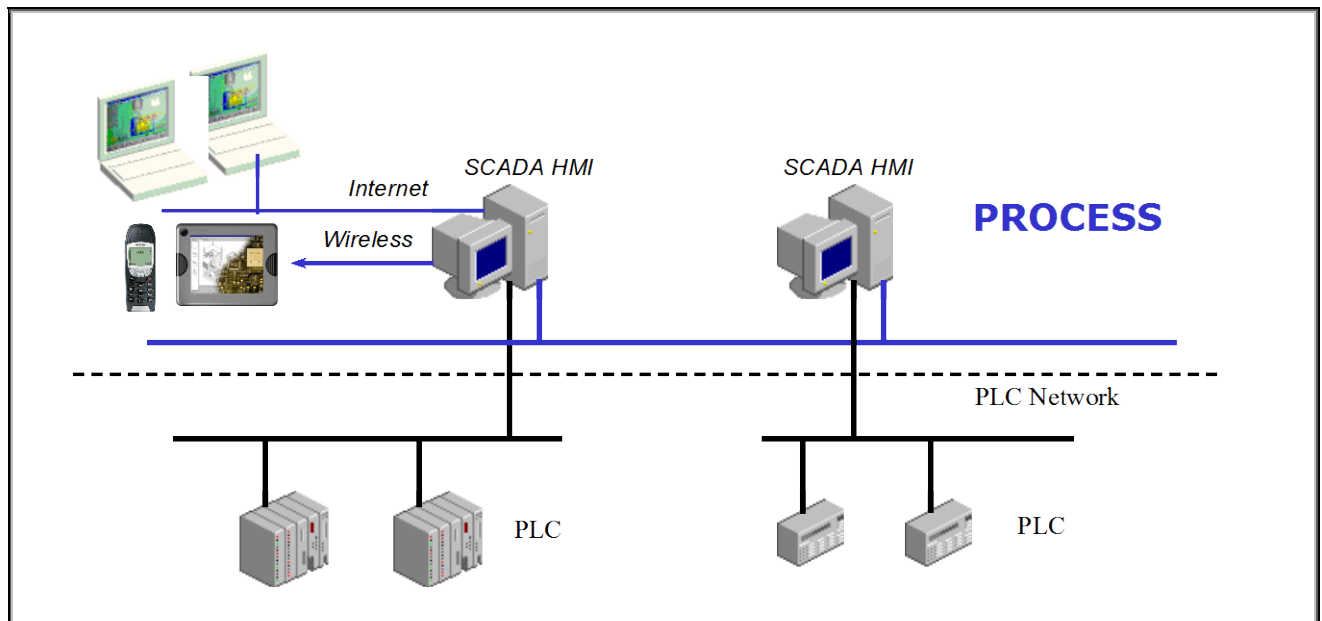


**Finishing Machine, China, Germany, Finland, Sweden.****Type of work**

Relocation and upgrading of Finishing Machine for Paper Machine Clothing.

**Project description**

Relocation and modernization of Finishing Machine. Mechanical and electrical delivery and installation, PLC/PC based Control System with Drives for a complete Finishing Machine for Paper Machine Clothing.

**Client**

Voith Paper Fabrics, Kunshan, China

Project budget: app. 3.5 MNOK

Project duration: Started in January 2008, finished in December 2008.

**Nebb Engineering delivery**

- |  |  |
|--|--|
| <ul style="list-style-type: none"> <li>• Machine arrangement and foundation specifications</li> <li>• Mechanical parts for the machine and auxiliary equipment</li> <li>• Supervision of mechanical and electrical installation</li> <li>• Commissioning, test &amp; training</li> </ul> | <p>Complete electrical Control System<br/>NebbOpenStep-QA, based on:</p> <ul style="list-style-type: none"> <li>• PLC system Siemens S7-400</li> <li>• HMI system based on Citect</li> <li>• Servo Drives type Lenze</li> <li>• Fieldbus based on Profibus DP</li> <li>• Advanced Maintenance and Recipe system</li> </ul> |
|--|--|